

## CERTIFICATION



HACCP International



ISO9001

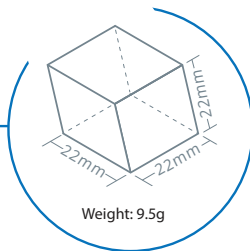
# ICE MATE

by  HOSHIZAKI

## SRM-270AB-B-501SA

### ICE MAKER

#### DICE



ICEMATE is committed to bringing high-efficiency / energy-saving, and high quality ice-making product to people who have dreams and desire to create their own business with the best scientific technology and manufacturing technology.

### KEY FEATURES

#### SAFETY AND HYGIENE ASSURED ICE MACHINE

##### AUTO-CLEANING



Timely maintenance of water system can extend life of equipment.

##### PURE ICE



Overflow self-cleaning function, ensuring ice hygiene

##### IoT



#### Slow melt Dilution



**Slow Dilution**  
Slower melting speed due to -7°C of inside temp of ice cube

#### Powerful Ice Making



##### Powerful Ice Making

Designed for commercial Ice Machine



High-end Compressor

Stable Ice Making

Ensuring sufficient ice production in 24 hours

#### Energy & Water Saving, Quiet Operation



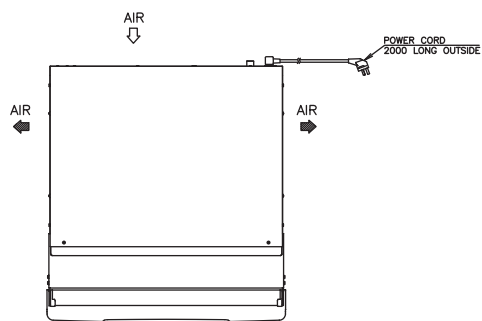
##### Energy & Water Saving, Quiet Operation

Scientific water cycle system  
The water circulation system reasonably utilizes water and reduces waste

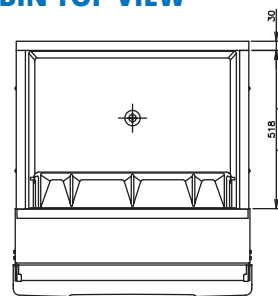


Low energy consumption  
Long life compressor  
Low energy consumption during operation

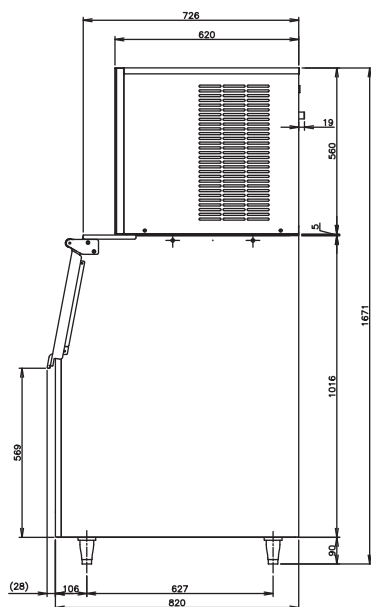
Noise Reduction  
Stable compressor operation  
Machine runs quietly and smoothly



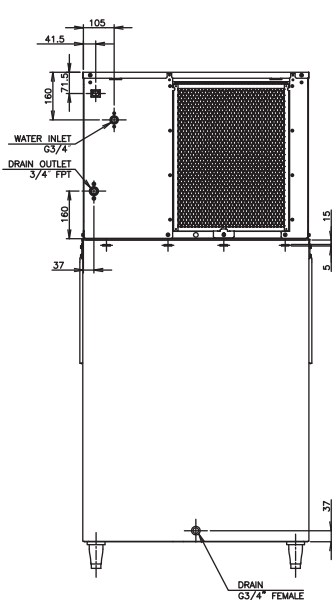
**BIN TOP VIEW**



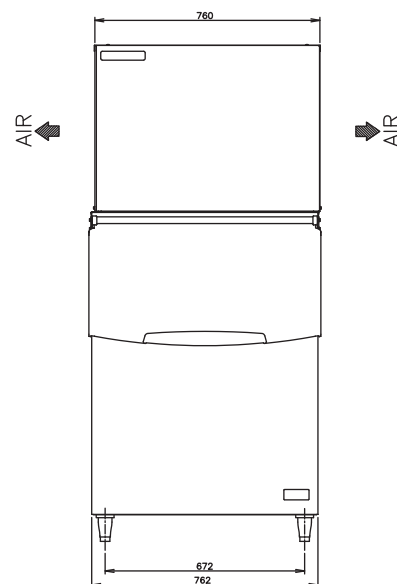
**RIGHT SIDE**



**BACK SIDE**



**FRONT SIDE**



**SPECIFICATIONS**

Ice Dimensions (W x D x H)	22 x 22 x 22 mm
Outside Dimensions (W x D x H)	762 x 820 x 1671 (~1701) mm
Package Dimensions (W x D x H)	Ice Maker: Pallet+Carton: 850 x 710 x 750mm Storage Bin: 866 x 924 x 1138mm
Weight (Net / Gross)	Ice Maker: 59kg / 78kg Storage Bin: 47kg / 57kg
Amperage / Starting Amperage	6.4A/24A
Electrical Consumption	(AT32°C / WT21°C) 861W
Refrigerant Charge	R404A/620g
Ice Storage Capacity	Maximum 217 kg
Ice Production per 24H	(AT10°C / WT10°C) Approx. 270 kg (AT21°C / WT15°C) Approx. 225 kg (AT32°C / WT21°C) Approx. 180 kg

Water Consumption per 24H	(AT32°C/WT21°C) 0.19m <sup>3</sup> (1.1 L / kg Ice)
Ice Production Freeze Cycle Time	(AT21°C/WT15°C) 14.5 min
Ice Production per Cycle	(AT21°C/WT15°C) Approx. 2.41kg / 260pcs

**OPERATING CONDITIONS**

Voltage Range	198 - 242 V
Ambient Temperature	5 - 38°C
Water Supply	5 - 32°C
Water Supply Pressure	0.07 - 0.55 Mpa (0.7 - 5.5 bar)
Supply Voltage	1/220 - 240V / 50Hz



**HOSHIZAKI**

**HOSHIZAKI (THAILAND) LIMITED**

No. 99 CP Tower North Park building 9th Floor, Zone D1 Soi Ngamwongwan 47 Intersection 42, Thung Song Hong Subdistrict, Lak Si District, Bangkok 10210 Thailand. TEL +66 2 005 9980 | FAX +66 2 516 2646  
<https://hoshizaki-sea.com>